

# Light Control

## Datasheet

KNX embedded multi-function interface

LC-A0406

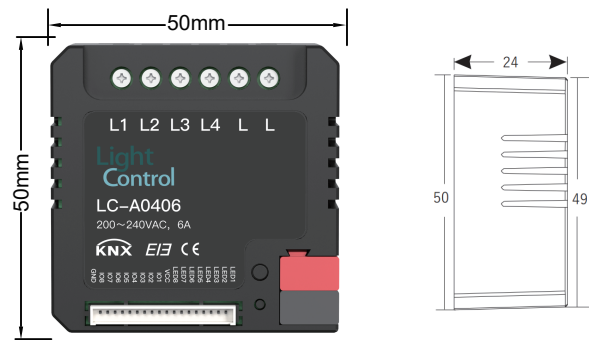
### Feature:

- \* Switch lighting, open and close curtains, raise and lower projection screens, etc. It has long press, short press & reverse
- \* With 4 relay outputs, control lighting, curtains and other equipment
- \* Scene control can be performed and the set scene functions can be called
- \* With LED indication function, multiple display selected states, such as: open, closed, and flashing...
- \* 8 fold dry contact inputs
- \* With 8-channel LED light output

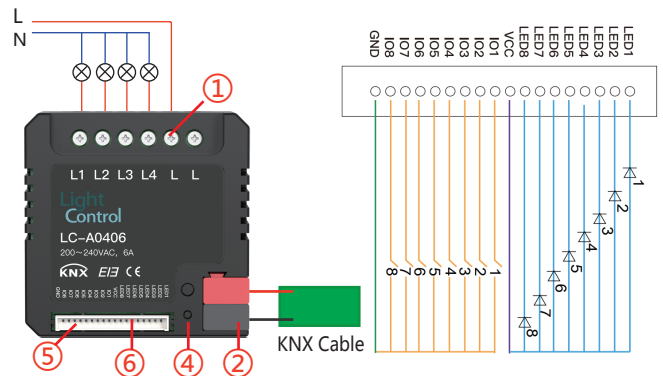
### Parameters:

Rated voltage	250VAC ( 50/60Hz)
Rated current & capacitance	6A/70uF, total current of 4 loops does not exceed 12A
Max Current	16A/277V AC
Load power	Max 800W (resistive load) Max 800W (resistive load)
Lifespan	$>1 \times 10^6$
Bus input	21-30V DC
Bus current	$\leq 12\text{mA}$
Bus power	$\leq 360\text{mW}$
LED driving voltage	12VDC
Bus power	$\leq 360\text{mW}$
LED driving voltage	12VDC
LED drive current	$\leq 1\text{mA}$

### Dimension:



### Wiring:



- ① Relay output terminal: 1 in and 4 out, two L ports can be connected to any one;
- ② KNX terminal block: KNX bus connection, red wire connected to "+", black wire connected to "-";
- ③ Programming indicator light: When the indicator light is red, the device is in programming status;
- ④ Programming button: Short press this button to enter the programming mode;
- ⑤ Dry contact terminal block: dry contact connection;
- ⑥ LED lamp terminal block: common anode connection;

### Contact:

Control4u

Address: Vardinon 3 Floor 7, 708,  
Petah -Tiqwa , Israel, 4959507