

## INTRODUCTION

### LC-DALIGW01 Light Control

**Light Control** designed new and innovative DALI/KNX Gateway easy to use.

Only one key permits to manage your DALI/KNX Gateway:  
a very fast addressing procedure that reduces costs and makes it easier.

To know how many devices are identified or to blink an addressed light are now performances you can drive with ETS.

## TECHNICAL DATA

DALI Gateway is a devices that permits to exchange data between KNX bus and DALI bus.  
Lights powered by electronic ballast with DALI interface can now be driven with your KNX commands to switch on or to adjust the brightness.

DALI Gateway translate switch on and dimming commands from KNX system in DALI telegrams and status information from DALI bus in KNX telegrams.

DALI Gateway permits to drive each individual DALI ballast up to 64 light with switch command, dimming command and brightness adjustment.

System Integrator can create a group of light to support a broadcast command able to switch and dimming all lights simultaneously.

System integrator can define up to 16 groups.

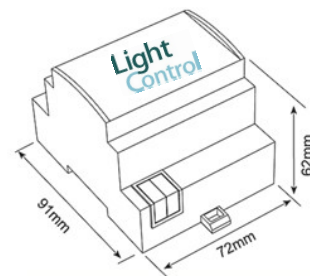
System supports communication object to return from ballasts error and status.

16 KNX scenarios are available to link the lights in KNX strategies.

Power:	100-240 VAC 50/60 Hz
Consumption:	7 W max
Temperature:	-5°C / +45°C
Humidity:	5% / 95%
Protection grade:	IP20
Size:	91mm x 72mm x 62mm (4moduli DIN)

DALI Terminals:	tipo D+ / D-
DALI Output:	16-20 VDC max. 128mA

KNX Input/output:	24VDC (selv) circa.5mA
-------------------	------------------------

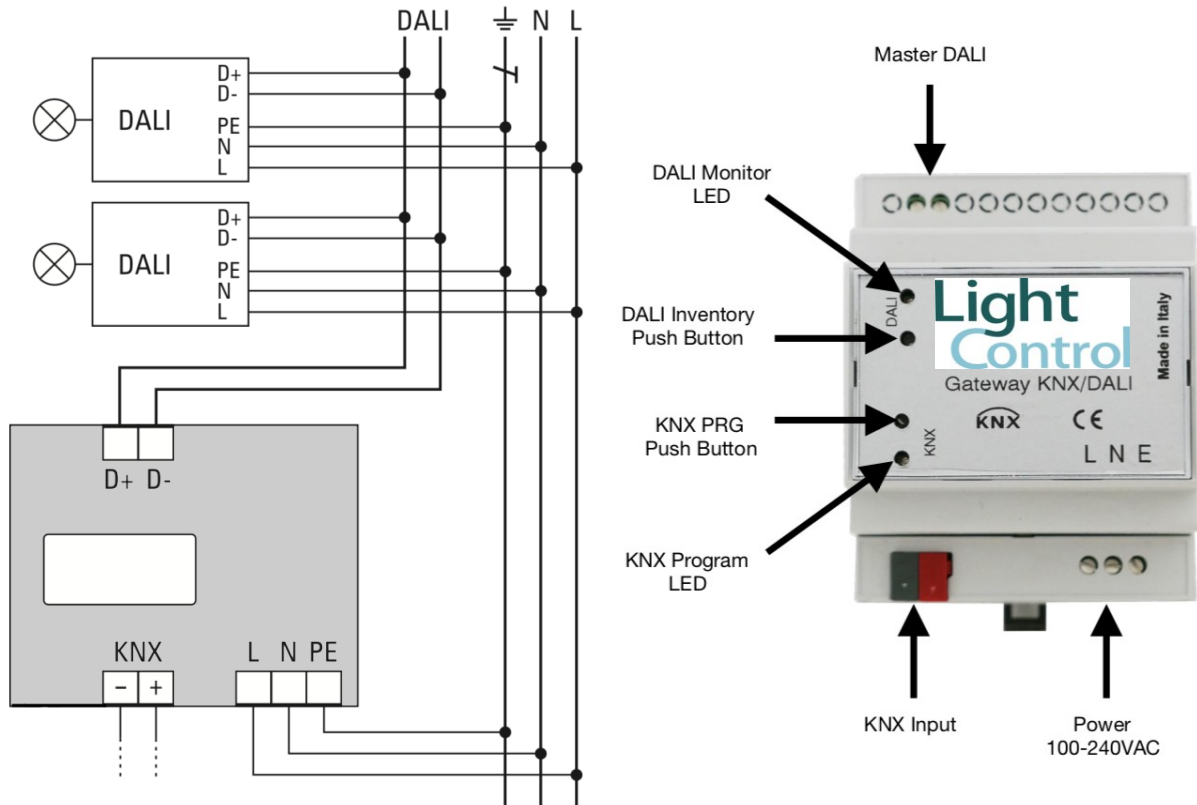


**INSTALLAZIONE**



Warning. Not correct use can damage the device.  
 D+ and D- terminals have no over voltage protections.  
 High voltage (230VAC) to DALI terminals can destroy your device.

Please, follow the following diagram connection:



## SETUP

When DALI Gateway is powered with 230 VAC it starts by checking KNX bus link and DALI bus link.

Green LED indicator remains off if device is new, by waiting startup procedure.

Green LED can be ON if DALI addressing procedure is done.

Green LED ON means you have some ballast ready to use.

Green Led DALI = ON           => some addressable ballasts are configured in DALI memory

Green Led DALI = OFF=> memory is empty and ready to start inventory

## INVENTORY

First time you install your device you need to start ballast addressing procedure to provide each one an ID code for next communication procedure (Inventory).

When you push Inventory button more than 5 seconds starts the addressing procedure.

Please, hold down until you see to blink quickly the green led.

At the end, green LED ON means that your Gateway has recognized one or more ballasts.

To know how many ballasts you have, please Use **read communication object n.500** with an appropriate group address.

Please, set **Number of installed devices** with that number!

This parameter is only to show a limited set of communication object.

-.- LC-DALIP > Common parameters

Common parameters      Number of installed devices      8

Inventory procedure is a random assignment then you must learn what ID is for each light.

To do that, please **write light ID in communication object n.501** then light will blink shortly.

If you want a significant addressing table you can adjust KNX offset address to obtain your desired list.

Offset address      1

## CUSTOMER SERVICE

How to replace a Gateway ?

light Control DALI Gateway is able to replace a damaged DALI Gateway without to restart addressing procedure (Inventory).

This performance is very important if you want to maintain original setup without ID modifications.

Then I can do only KNX download.

Before to start I suggest to enable W flag on n.500 communication object.

 500 Configurazione Dispositivi DALI rilevati 1 byte C R - T -

Originally that data is automatically written from Inventory to inform about how many ballasts are present in the DALI line.

If I enable W property the KNX download can write how many lights are present from ETS parameter.

In this way I can set DALI Gateway without Inventory.

When number of ballast is more than zero then green led is on.

After KNX download start immediately the DALI download to adjust DALI parameters with ETS configuration then green led blink slow.

Alternatively you can start DALI download with an Inventory button short press.