

2-Fold KNX Push Button



LC-PBP2468-TP

- 2-Fold KNX Push Button
- Extensive Operating Functions
- Configurable Bicolored LED Indicator for Each Button
- Commission and Project Design with ETS4/ETS5
- Switching and Dimming Function
- Scene Recall and Storage Function
- Roller Blinds and Shutter Function
- Push Buttons can be adjusted for 1 or 2 button operation
- Powered by KNX Bus Power Supply, No Extra Power Supply Required

Picture		Brief introduction of buttons	
		<p>A button pair, can work under linked mode or independent mode, function freely configurable with ETS4</p>	
		<p>Bicolored LED indicators (green/red), color and function configurable with ETS4</p>	
Operation Voltage	Via KNX Bus		
Operation Current	< 12mA		
Power Consumption	< 360mW		

Size

Operation

The 2-Fold KNX Push Button releases KNX telegrams after pushing the buttons, 1 or 2 Button operation can be parameterized. The device provides extensive functions that are freely configurable with ETS4 software to any push buttons. The push button contains 2 buttons, which can be parameterized individually. The bus can be connected at the back of the push buttons. Linked working mode (2 button operation, left and right) or independent working mode (1 button operation, left or right) can be set for the buttons.

The functions configurable under linked working mode (2 button operation, left and right) are as follows:

- Switching (switch on or off with 2 buttons, you can define which button to switch on and which off)
- Dimming (dim up or down and switch on or off with 2 buttons, you can define which button to dim up and which down, which button to switch on and which off, and you can specify whether a short or long operation will execute switching or dimming)
- Shutter and Roller Blind (blind movement for roller blind and slats adjustment for shutter with 2 buttons, you can define which button for blind moving up and which down, which button for slats up and which down, and blind movements are executed by a short operation of buttons and slats adjustments by a long operation)

The functions configurable under independent working mode (1 button operation, left or right) are as follows:

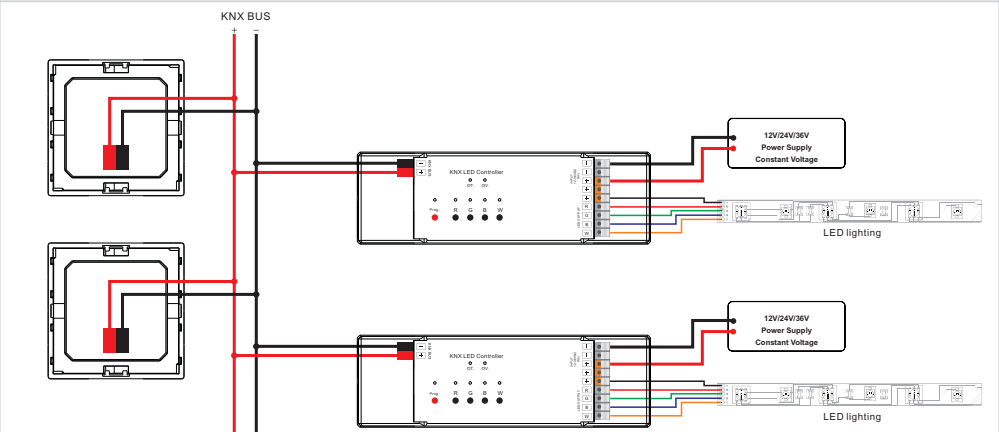
- Switch (switch on/off with 1 button, one operation to switch on and another to off or vice versa depending on the last state)
- Dimming (dim up/down with 1 button by a long operation and switch between dimming up and dimming darker for every long operation depending on the last state; switch on/off with 1 button by a short operation, switch between switching on and switching off for every short operation depending on the last state)
- Shutter and Roller Blind (blind movement for roller blind and slats adjustment for shutter with 1 button, short operation to move up or down the blind, long operation to adjust the slats up or down, the direction of movement and adjustment depends on the last direction of movement and adjustment)
- Scene (recall scene and store scene with 1 button by a short operation and long operation, short operation to recall, long operation to store)
- RTC Operation Mode (an operation mode switchover for connected room thermostats can be carried out by 1 button operation)

The KNX Push Button has a bicolored (red/green) LED indicator for each rocker. The LED indicator can visualize different switching processes and operations. Every LED can light green or red. The LED can also flash for alarm display. You can also parameterize when the LED should light green, when red and when should flash.

The imprinting of the extensive labeling area provides a simple and clear allocation of functions. In addition, the buttons can be marked as well. The information in the labeling area can be supplemented in a meaningful way and the assignment of functions optimized.

Note: Please refer to the detailed instruction file for full function configuration operations with ETS4.

Wiring diagram



Mounting

The key part of this controller is a universal, extremely rotary standard switch element that can be integrated in numerous frames by different manufactures as below list:

BEKER	S1, B1, B3, B7 glass
GIRA	Standard55, E2, Event, Esprit
JUNG	A500, Aplus
MERTEN	M-smart, M-Arc, M-Plan