

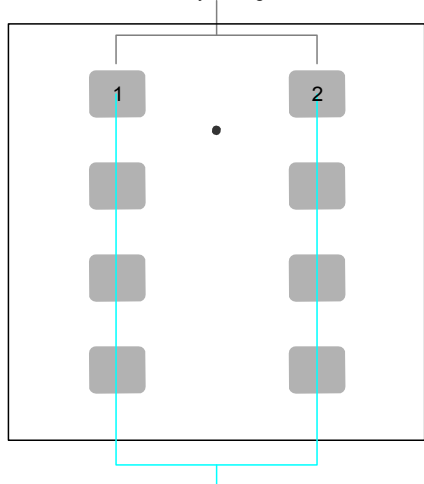
LC-PBPG8/6/4/2 KNX Touch Panel



Important: Read All Instructions Prior to Installation

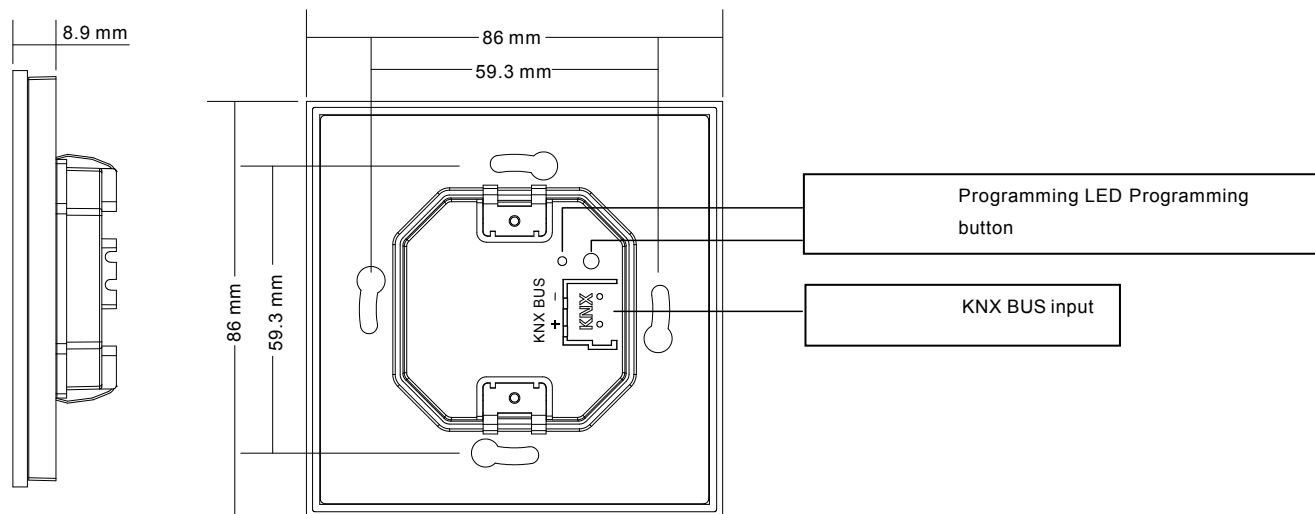
Function introduction

A button pair, can work under linked mode or independent mode, function freely configurable with ETS4



LED indicator (green/red) for each channel

Front side



Product Data

Number of Keys	2	4	6	8
Number of bicolored LED	2	4	6	8
Orientation LED	1	1	1	1
KNX busconnection terminal	0.8mmΦ, single core	0.8mmΦ, single core	0.8mmΦ, single core	0.8mmΦ, single core
Power Supply	KNX Bus	KNX Bus	KNX Bus	KNX Bus
Power Consumption KNX bus typ.	<0.3W	<0.3W	<0.3W	<0.3W
Operation temperature range	0 to +45°C	0 to +45°C	0 to +45°C	0 to +45°C
Waterproof Grade	IP 20	IP 20	IP 20	IP 20
Dimensions(W x H x D)	86x86x21.4 mm	86x86x21.4 mm	86x86x21.4 mm	86x86x21.4 mm

- Ultra slim and luxury design
- Tempered glass front plate with high touch sensitivity
- Label can be printed and customized with the attached PVC paper
- Extensive Operating Functions
- Configurable Bicolored LED Indicator for Each Button
- Commission and Project Design with ETS4/5
- Switching and Dimming Function
- Scene Recall and Storage Function
- Roller Blinds and Shutter Function
- Touch keys can be adjusted for 1 or 2 button operation
- Powered by KNX Bus Power Supply, No Extra Power Supply Required
- Easy installation with a mounting bracket

Safety & Warnings

- DO NOT installed with power applied to device.
- DO NOT expose the device to moisture.

Operation

The KNX touch panel releases KNX telegrams after short pressing or pressing and holding down the keys, 1 or 2 Button (the top two buttons) operation can be parameterized. The device provides extensive functions that are freely configurable with ETS4 software to any touch buttons. The touch panel contains 8 buttons, which can be parameterized individually. The bus can be connected at the back of the touch panel. Linked working mode (2 button operation, left and right) or independent working mode (1 button operation, left or right) can be set for the buttons.

Commissioning KNX Touch Panel

- Assign the physical address and set parameters with the ETS.
- Upload the physical address and parameters into the KNX Touch Panel. After request press programming key.
- After successful programming the red programming LED turns off.

The functions configurable under linked working mode (2 button operation, left and right) are as follows:

- Switching of lighting (switch on or off with 2 buttons, you can define which button to switch on and which off)
- Dimming of lighting (dim up or down and switch on or off with 2 buttons, you can define which button to dim up and which down, which button to switch on and which off, and you can specify whether a short or long operation will execute switching or dimming)
- Shutter and Roller Blind (blind movement for roller blind and slats adjustment for shutter with 2 buttons, you can define which button for blind moving up and which down, which button for slats up and which down, and blind movements are executed by a short operation of buttons and slats adjustments by a long operation)

The functions configurable under independent working mode (1 button operation, left or right) are as follows:

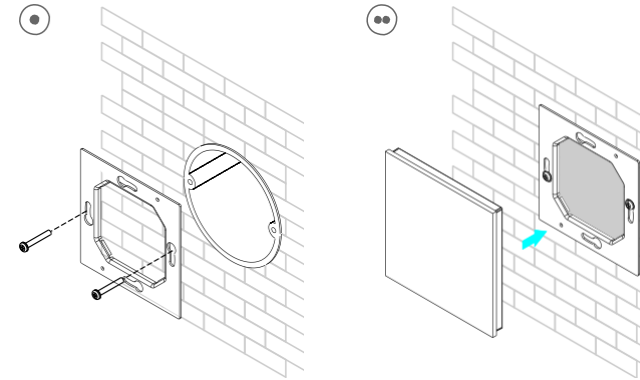
- Switching of lighting (switch on/off with 1 button, one operation to switch on and another to off or vice versa depending on the last state)

- Dimming of lighting (dim up/down with 1 button by a long operation and switch between dimming up and dimming darker for every long operation depending on the last state; switch on/off with 1 button by a short operation, switch between switching on and switching off for every short operation depending on the last state)
- Shutter and Roller Blind (blind movement for roller blind and slats adjustment for shutter with 1 button, short operation to move up or down the blind, long operation to adjust the slats up or down, the direction of movement and adjustment depends on the last direction of movement and adjustment)
- Scene (recall scene and store scene with 1 button by a short operation and long operation, short operation to recall, long operation to store)
- RTC Operation Mode (an operation mode switchover for connected room thermostats can be carried out by 1 button operation)

The KNX Push Button has an additional orientation LED and a bicolored (red/green) LED indicator for each rocker. These LEDs can be set from internal or external objects. The LED can visualize all operations. The LED can also flash for alarm display. You can also parameterize when the LED should light green, when red and when should flash.

Note: Please refer to the detailed instruction file for full function configuration operations with ETS4. Commissioning of the device shall only be carried out by authorized electricians.

Installation



Wiring diagram

